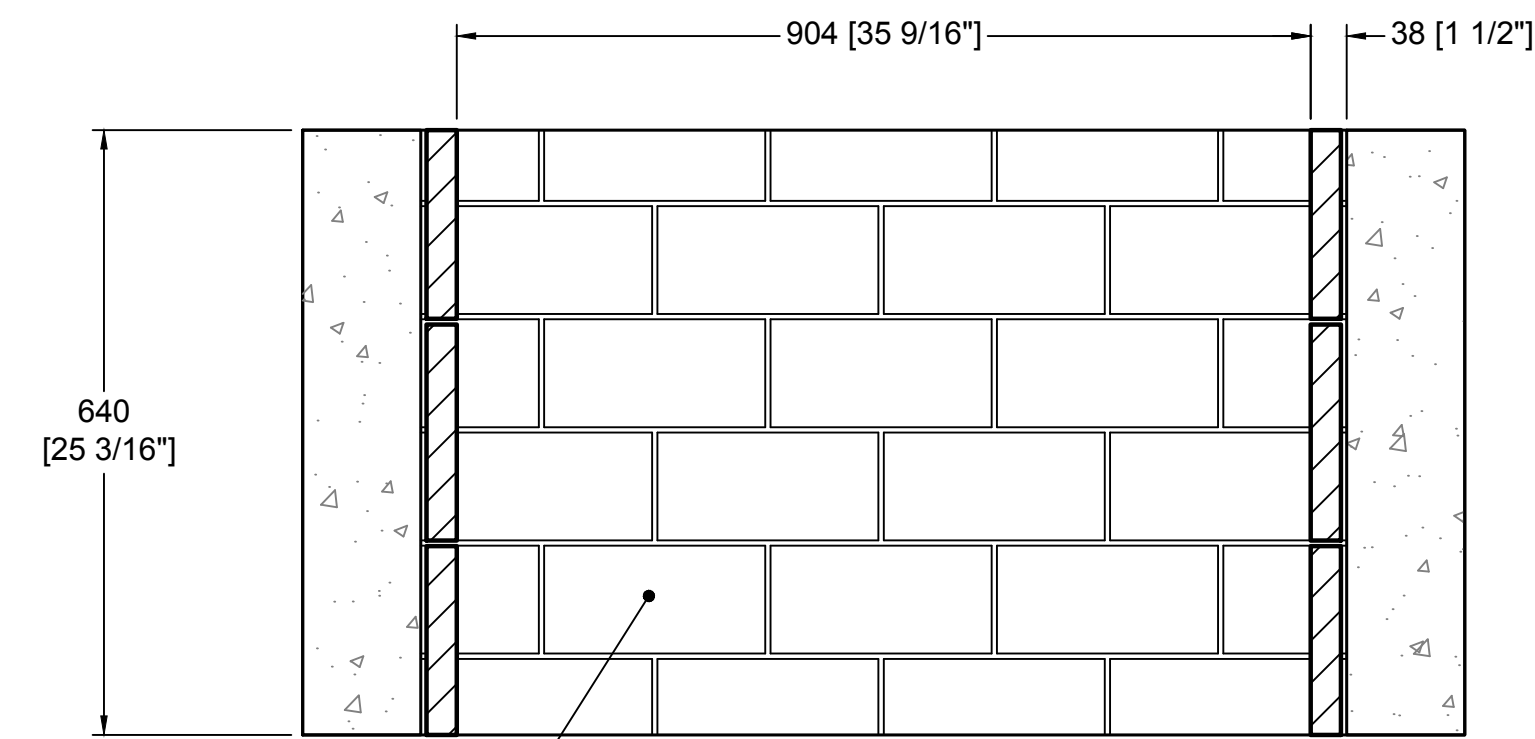
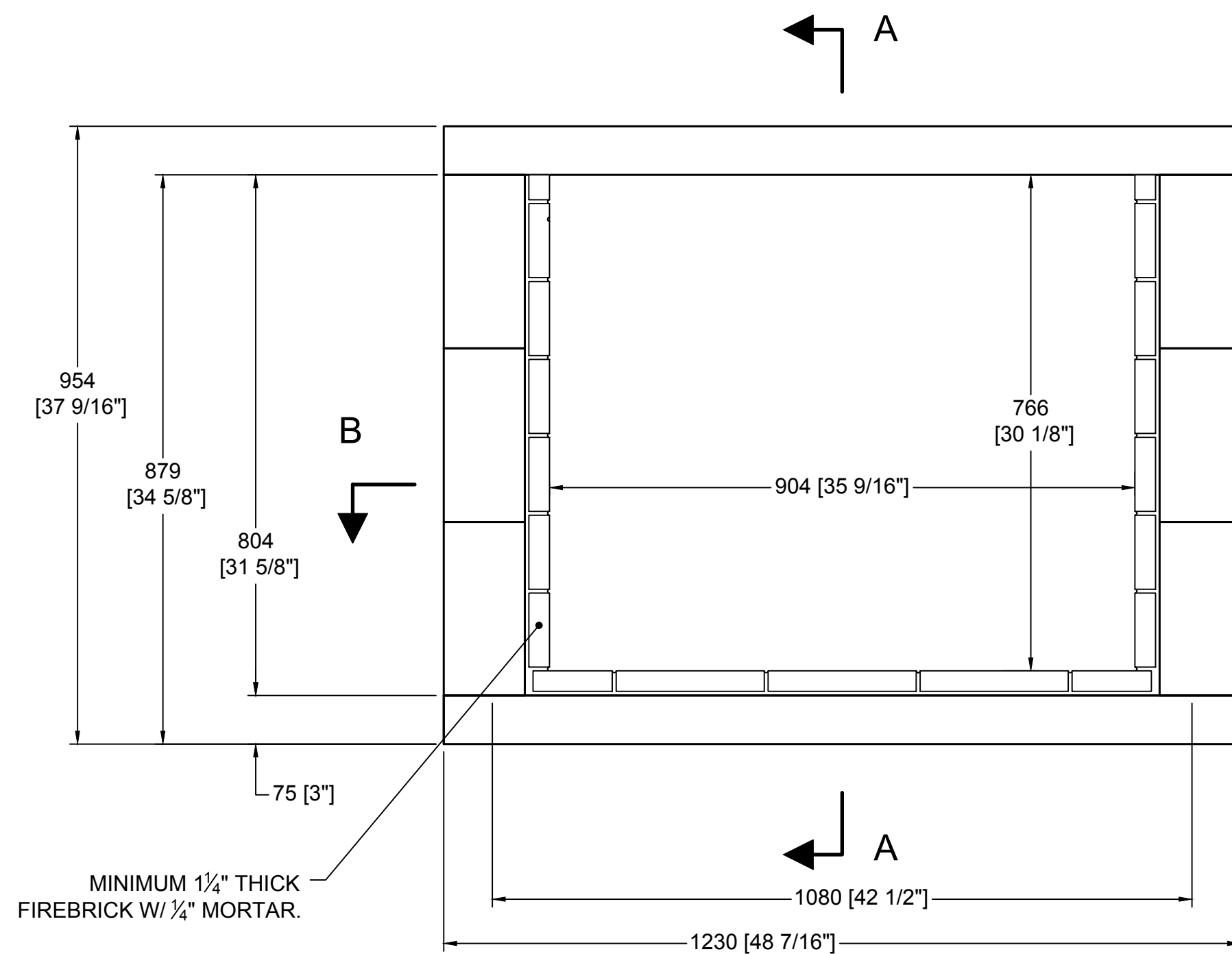


TOP VIEW

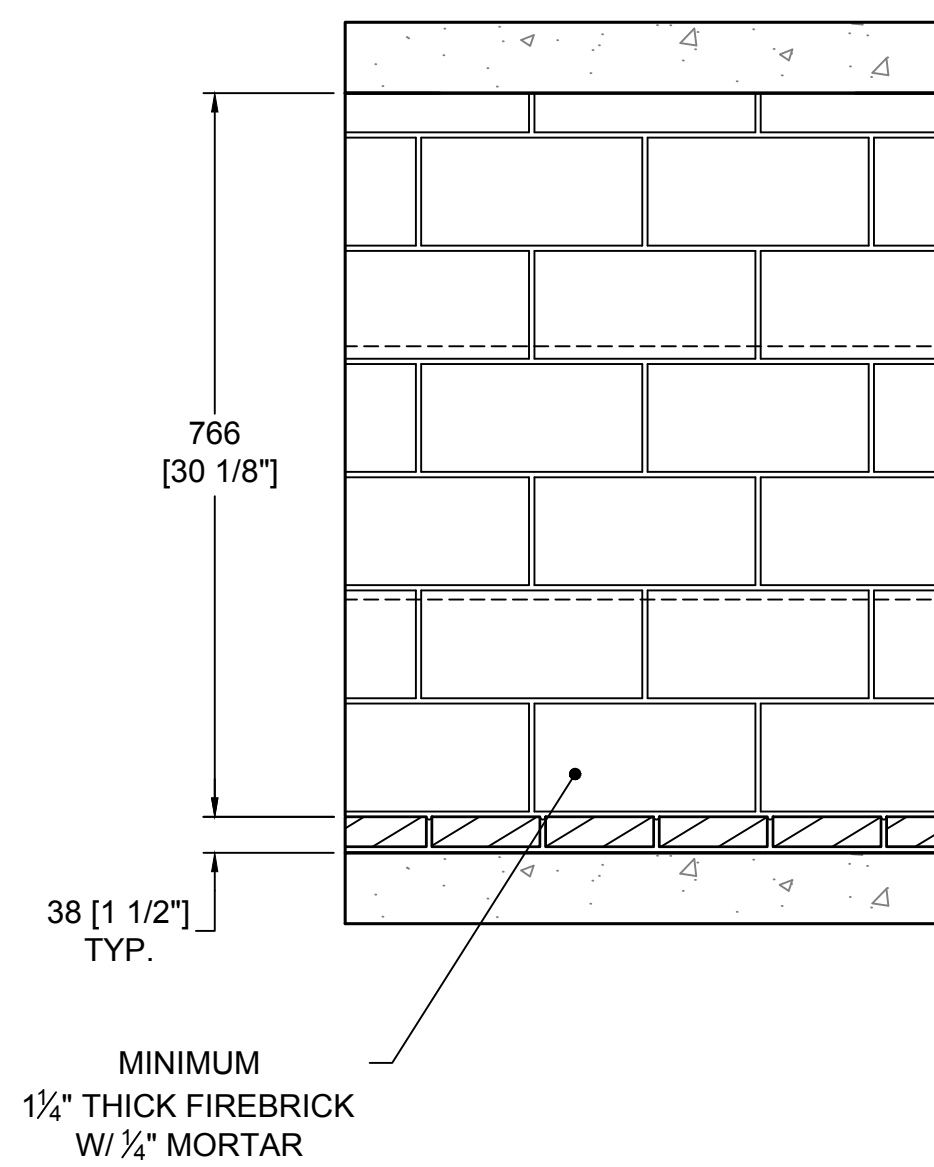


MINIMUM  
1/4" THICK FIREBRICK  
W/ 1/4" MORTAR

SECTION B-B  
HORIZONTAL FIREBRICK DETAIL

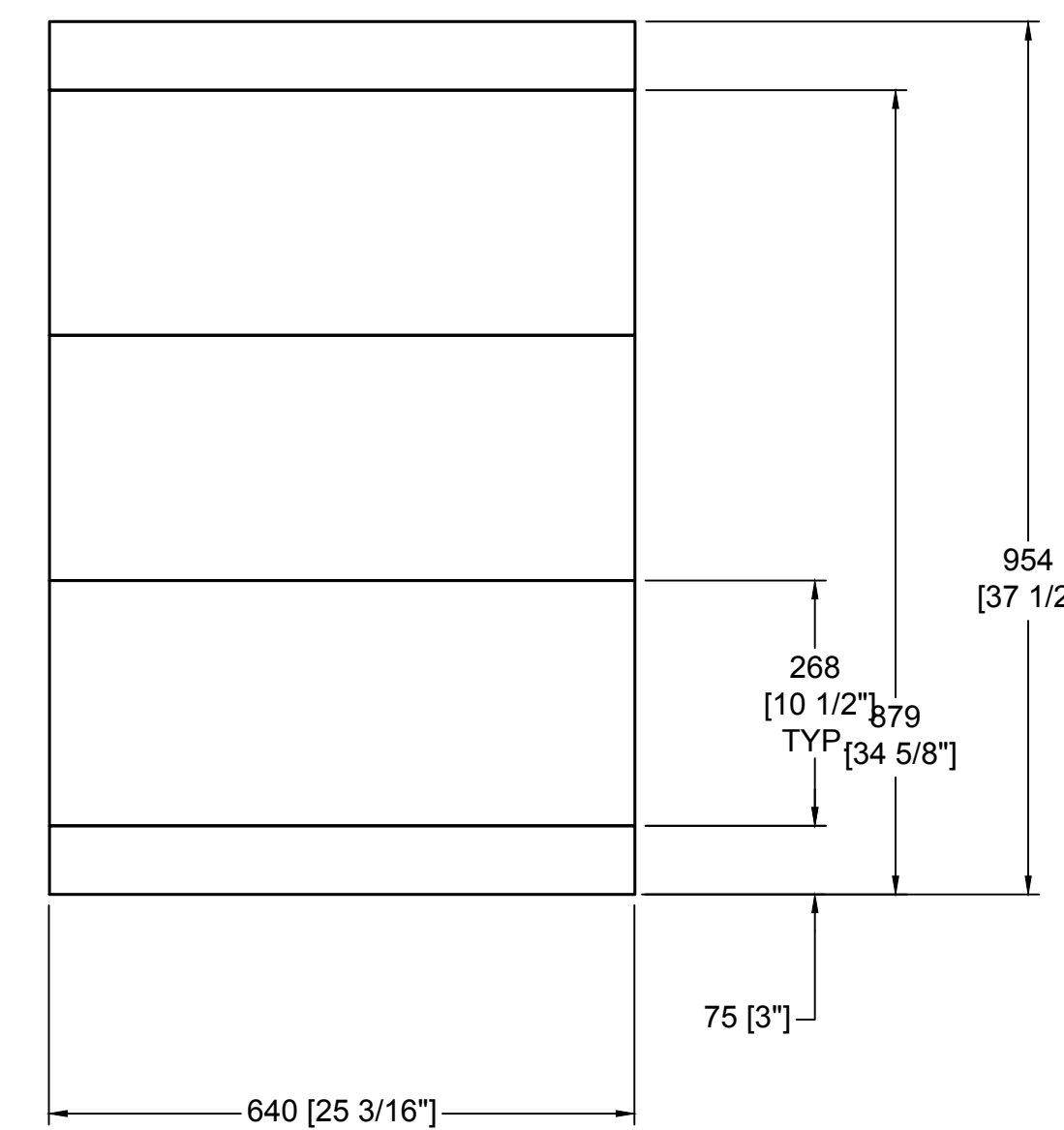


FRONT VIEW



MINIMUM  
1/4" THICK FIREBRICK  
W/ 1/4" MORTAR

SECTION A-A  
VERTICAL FIREBRICK DETAIL

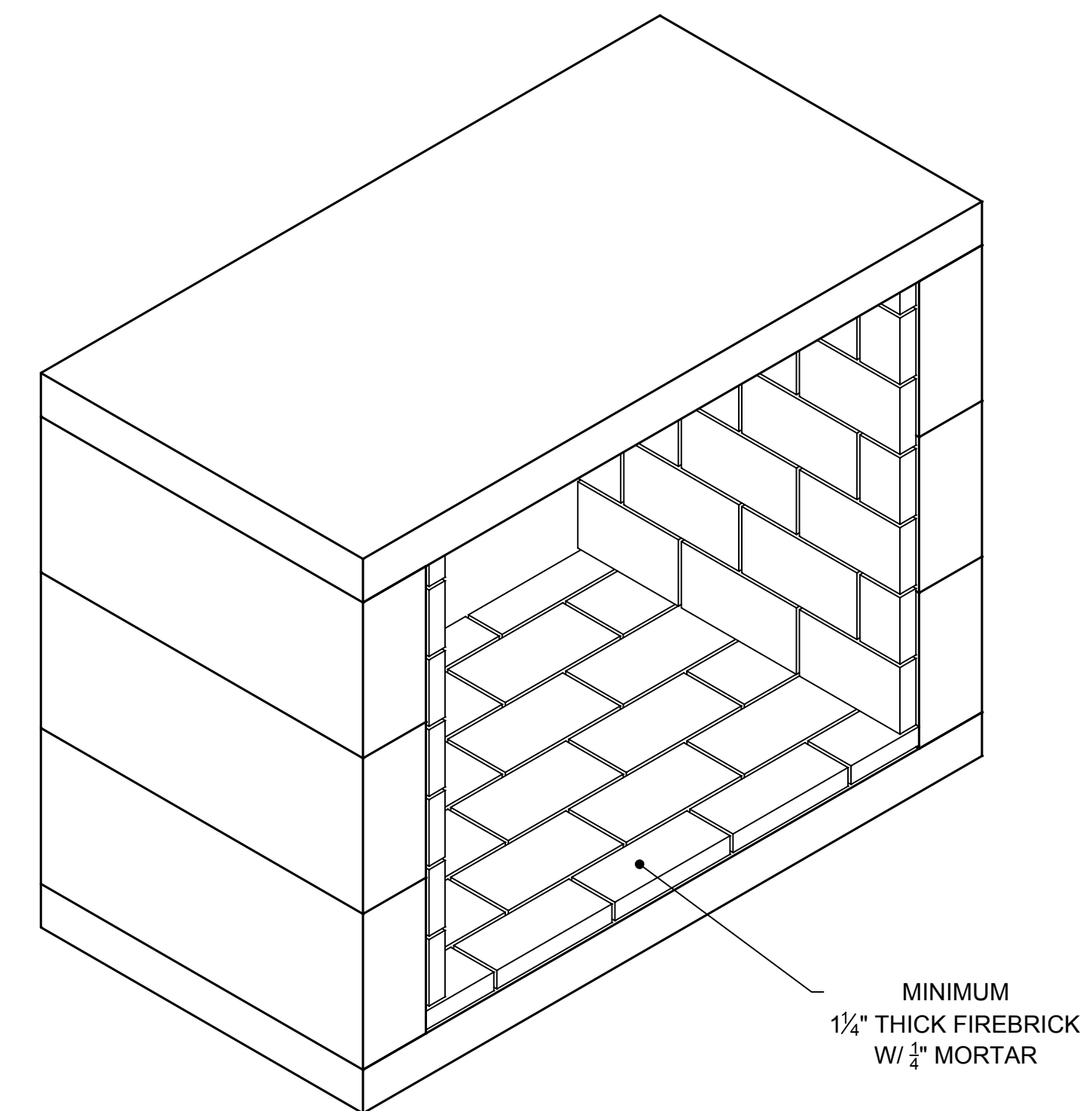


RIGHT SIDE VIEW

| COMPONENT LIST |                          |      |
|----------------|--------------------------|------|
| PART #         | DESCRIPTION              | QTY. |
| 22             | BASEPLATE-42" (STD)      | 2    |
| 25             | BACK WALLS (36 STANDARD) | 6    |

- GENERAL NOTES**
- THIS IS A CUSTOM ISOKERN FIREPLACE AND CARRIES NO LISTING, UL OR OTHERWISE.
  - DRAWINGS ARE FOR DESIGN PURPOSES ONLY AND ARE THE SOLE PROPERTY OF EARTHCORE INDUSTRIES. ANY REPRODUCTION OR UNAUTHORIZED USE IS STRICTLY PROHIBITED.
  - EARTHCORE/ ISOKERN OR ANY DIVISION THEREOF SHALL NOT BE HELD LIABLE FOR ANY INCIDENTAL OR CONSEQUENTIAL DAMAGES OR EXPENSES ARISING OUT OF THE USE OF THE FIREPLACES OR CHIMNEY SYSTEMS.
  - ALWAYS CHECK LOCAL BUILDING CODES GOVERNING FIREPLACES AND FIREPLACE INSTALLATIONS.
  - DO NOT BUILD A FIRE IN THIS ENCLOSURE.
  - THE VENT-FREE FIREBOX MAY BE INSTALLED AT "ZERO CLEARANCE" TO PLYWOOD SHEATHING AND TO UN-INSULATED WOOD FRAMING MEMBERS AT THE UNIT BOTTOM, SIDES, REAR AND TOP WHEN USED FOR ENCLOSING ANY LISTED UNVENTED GAS-FIRED LOG SET WITH MAXIMUM HEAT INPUT RATINGS UP TO 40,000 BTU/HR.
  - WHEN A VENT-FREE FIREBOX IS TO BE INSTALLED ON CARPETING, TILE, OR ANY COMBUSTIBLE MATERIAL OTHER THAN WOOD FLOORING OR CONCRETE, THE VENT-FREE FIREBOX SHALL THEN BE INSTALLED ON A METAL OR WOOD PANEL EXTENDING THE FULL WIDTH AND DEPTH OF THE VENT-FREE FIREBOX.
  - AT THE FRONT OF THE FIREBOX, ALL COMBUSTIBLE TRIM MUST BE KEPT A MINIMUM OF 12" FROM THE TOP, AND 8" FROM THE SIDES OF THE FIREBOX OPENING.
  - KEEP ALL INSULATION MATERIAL TO A MINIMUM OF THREE INCHES (3") AWAY FROM THE OUTSIDE SURFACES OF THE VENT-FREE FIREBOX.
  - THESE MODELS CANNOT BE INSTALLED IN A BEDROOM UNLESS MAXIMUM BTU RATING OF INSTALLED VENT-FREE LOG SET IS LESS THAN 10,000 BTU/HR.

ISOMETRIC VIEW (N.T.S)



|   |  |                        |  |                |                    |
|---|--|------------------------|--|----------------|--------------------|
|   | UNLESS OTHERWISE STATED, ALL DIMENSIONS ARE IN MILLIMETERS |                        | PROJECT: 36" VENT FREE-SEE THRU              |                |                    |
|   | UNSPECIFIED TOLERANCES                                     | THIRD ANGLE PROJECTION | DESCRIPTION: FIREPLACE CONSTRUCTION DOCUMENT |                |                    |
| MATERIAL: E.C. PUMICE MIXTURE                           | ANG. X ±   |                        | MATERIAL: E.C. PUMICE MIXTURE                | DATE: 6/6/2018 | SIZE: 1-1/2"=1'-0" |
| DRAWN: K.B.H.   | LIN. X ±   |                        | DATE: 6/6/2018                               | APPROVED:      | D                  |
| 5899 Philips Industrial Blvd.<br>Jacksonville, FL 32256 | XX ±   |                        |  |                | SHEET # 1 OF 1     |