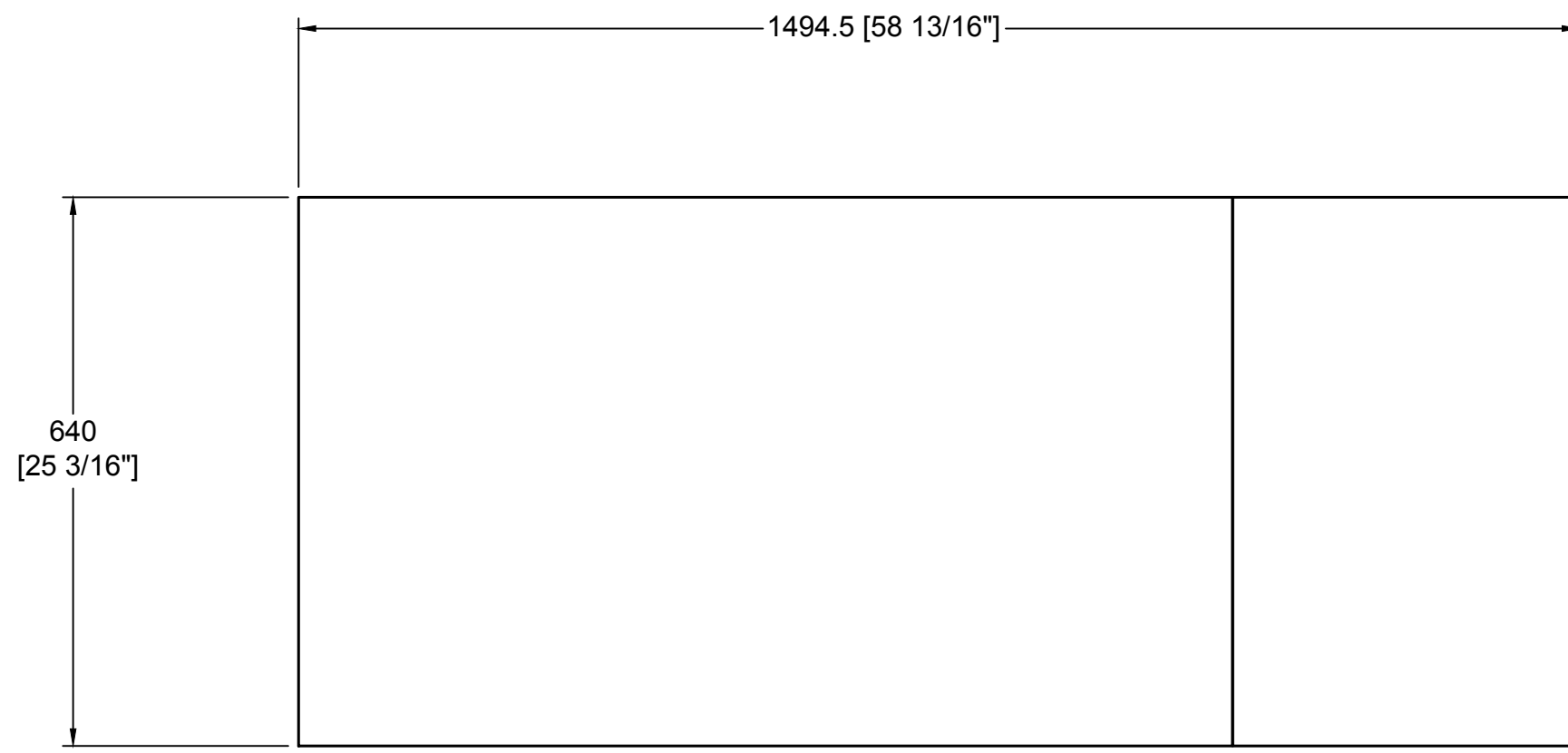
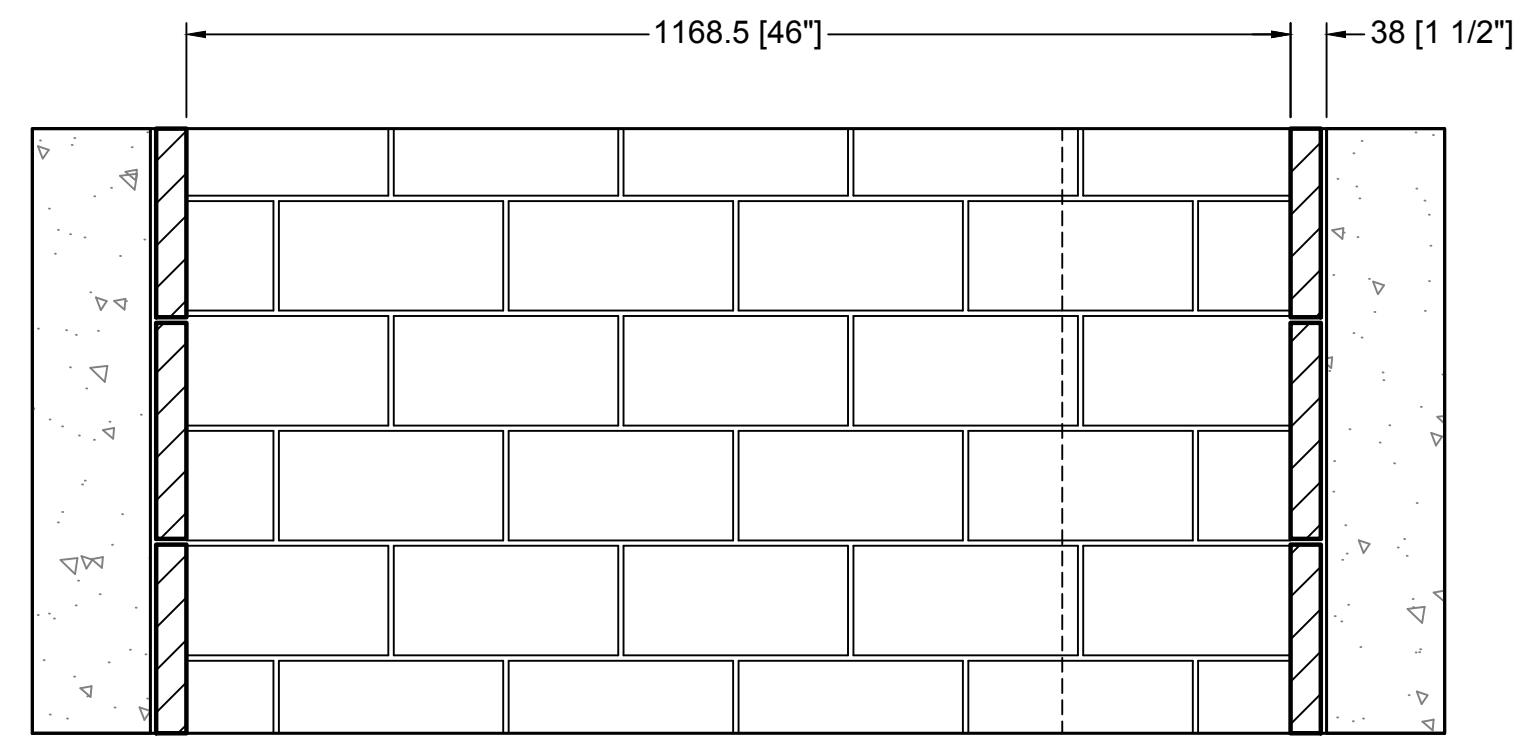


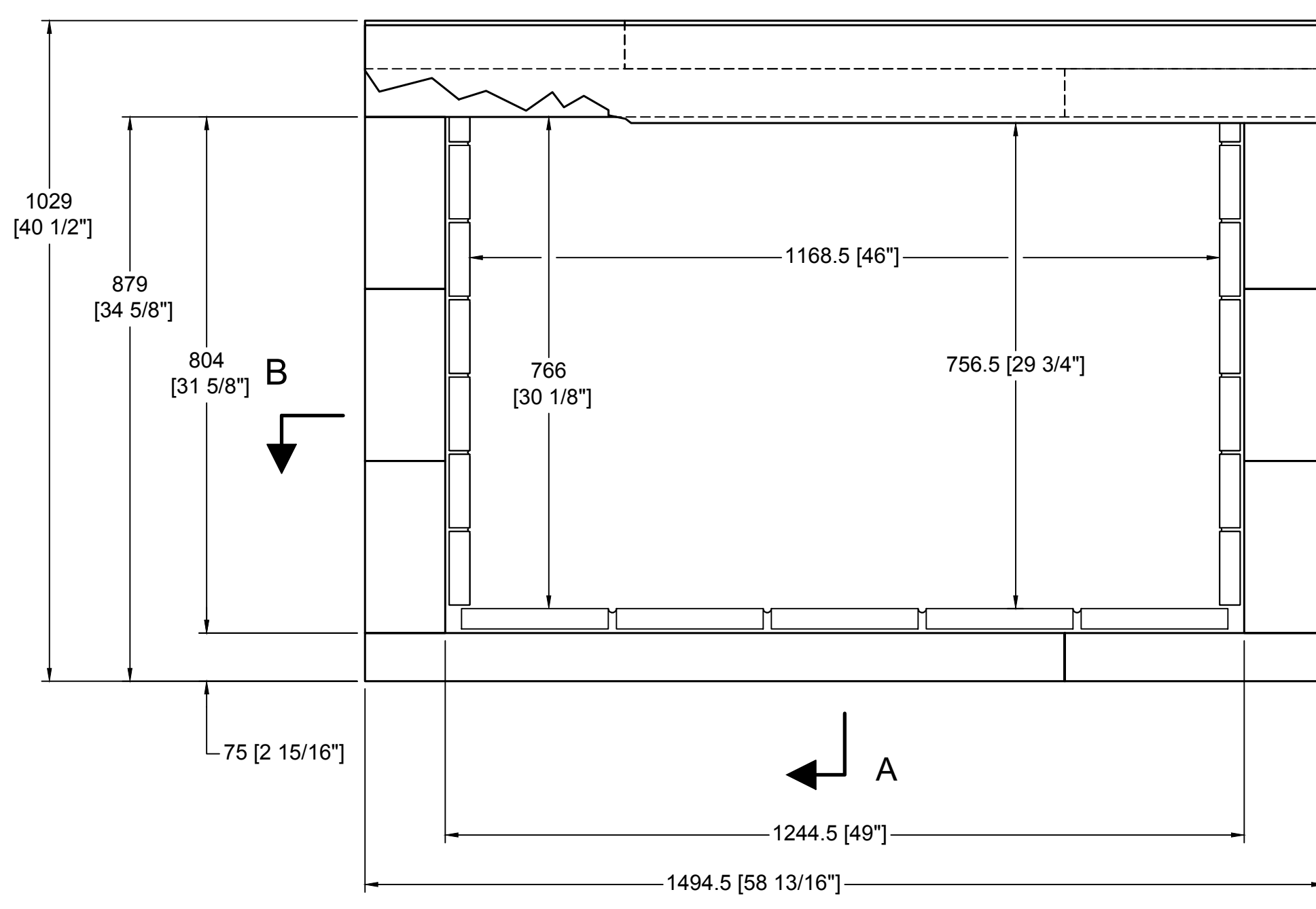
TOP VIEW
(LEVEL TWO)



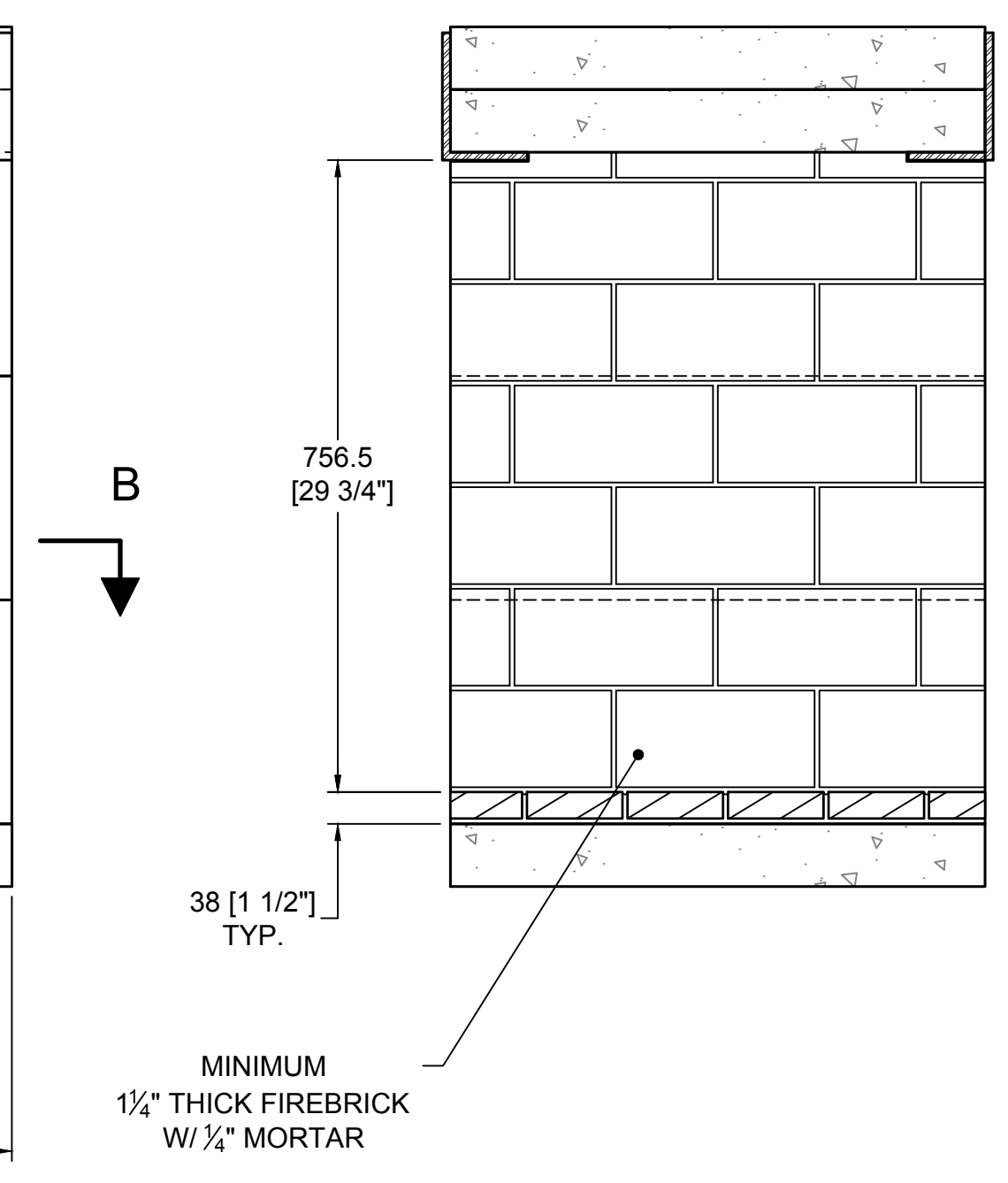
TOP VIEW
(LEVEL ONE)



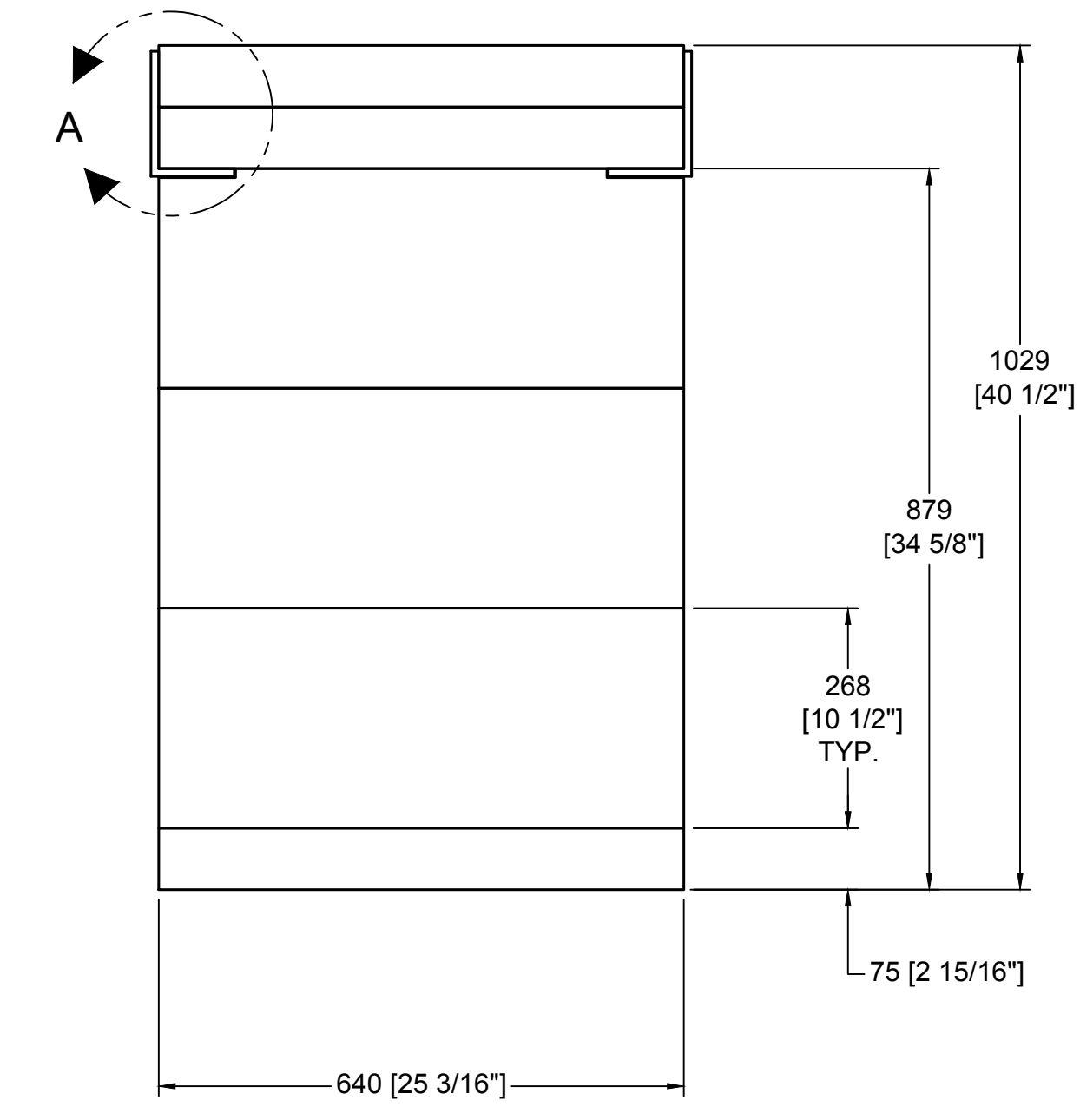
SECTION B-B
HORIZONTAL FIREBRICK DETAIL



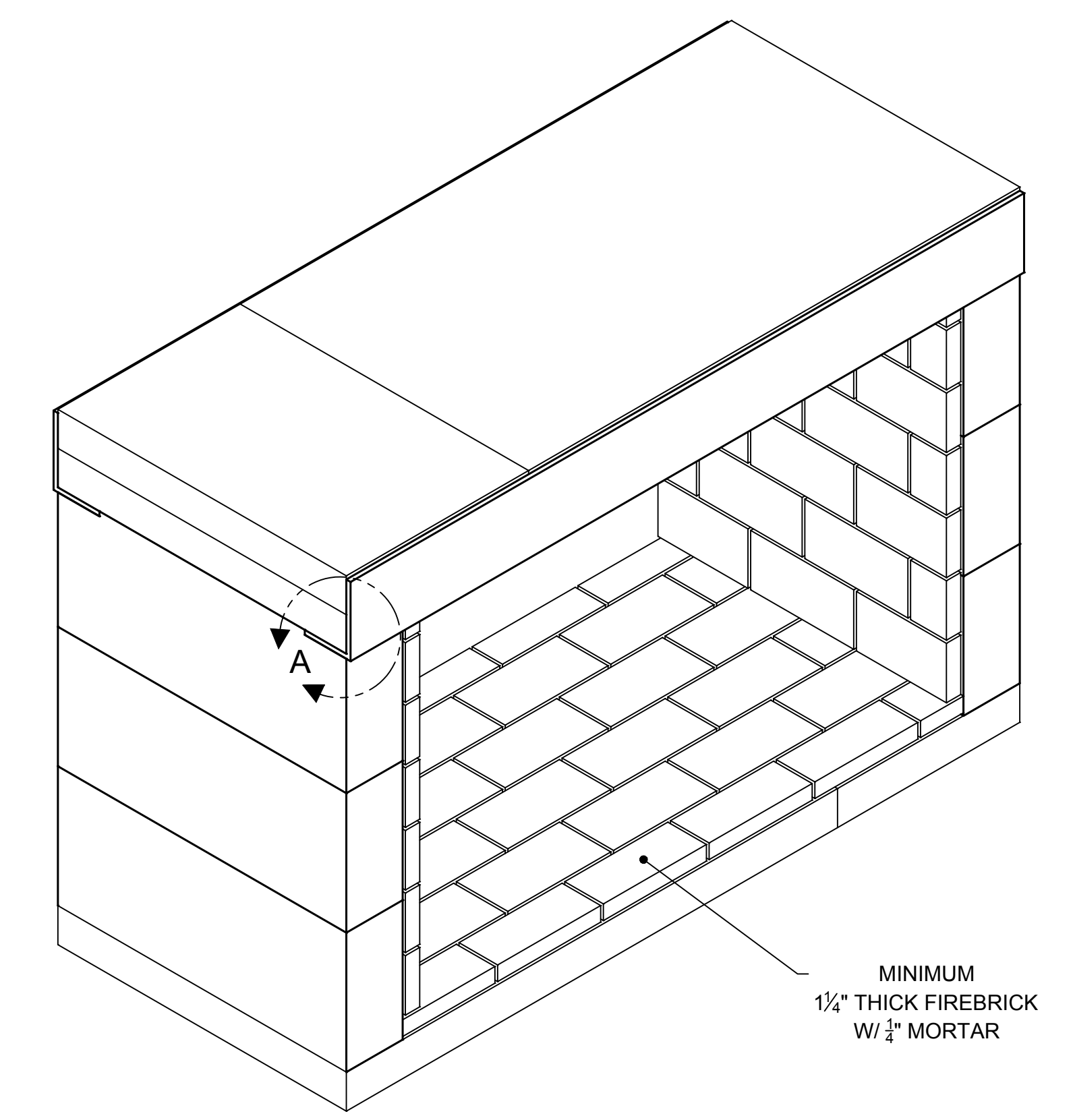
FRONT VIEW



SECTION A-A
VERTICAL FIREBRICK DETAIL



RIGHT-SIDE VIEW



MINIMUM
1/4" THICK FIREBRICK
W/ 3/4" MORTAR

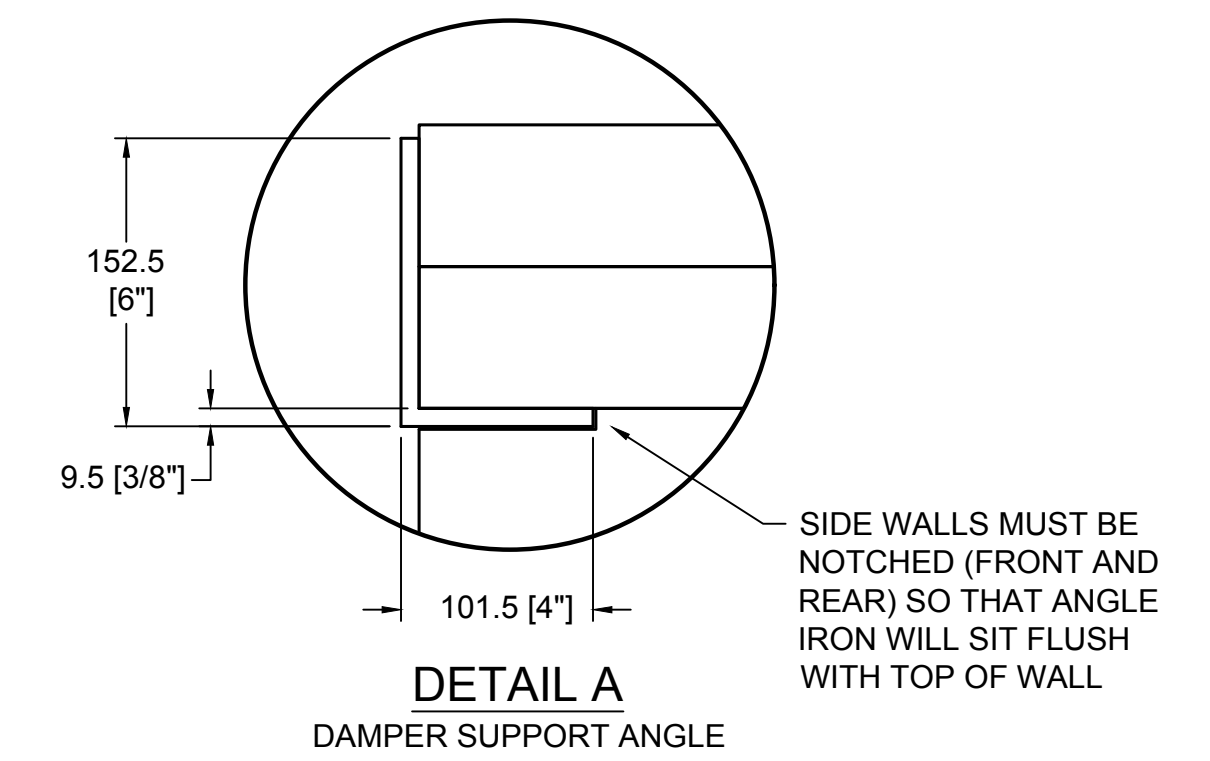
COMPONENT LIST

PART #	DESCRIPTION	QTY.
21	BASEPLATE-36" (STD)	3
21a(CC)	CUSTOM CUT BASEPLATE-36" (STD)	3
25(CC)	CUSTOM CUT SIDE WALLS (36 STANDARD)	6
100	4 x 6 x 3/8" STEEL ANGLE; NOT SUPPLIED BY EARTHCORE	2

GENERAL NOTES

- THIS IS A CUSTOM ISOKERN FIREPLACE AND CARRIES NO LISTING, UL OR OTHERWISE.
- DRAWINGS ARE FOR DESIGN PURPOSES ONLY AND ARE THE SOLE PROPERTY OF EARTHCORE INDUSTRIES. ANY REPRODUCTION OR UNAUTHORIZED USE IS STRICTLY PROHIBITED.
- EARTHCORE/ ISOKERN OR ANY DIVISION THEREOF SHALL NOT BE HELD LIABLE FOR ANY INCIDENTAL OR CONSEQUENTIAL DAMAGES OR EXPENSES ARISING OUT OF THE USE OF THE FIREPLACES OR CHIMNEY SYSTEMS.
- ALWAYS CHECK LOCAL BUILDING CODES GOVERNING FIREPLACES AND FIREPLACE INSTALLATIONS.
- DO NOT BUILD A FIRE IN THIS ENCLOSURE.
- THE VENT-FREE FIREBOX MAY BE INSTALLED AT "ZERO CLEARANCE" TO PLYWOOD SHEATHING AND TO UN-INSULATED WOOD FRAMING MEMBERS AT THE UNIT BOTTOM, SIDES, REAR AND TOP WHEN USED FOR ENCLOSING ANY LISTED UNVENTED GAS-FIRED LOG SET WITH MAXIMUM HEAT INPUT RATINGS UP TO 40,000 BTU/HR.
- WHEN A VENT-FREE FIREBOX IS TO BE INSTALLED ON CARPETING, TILE, OR ANY COMBUSTIBLE MATERIAL OTHER THAN WOOD FLOORING OR CONCRETE, THE VENT-FREE FIREBOX SHALL THEN BE INSTALLED ON A METAL OR WOOD PANEL EXTENDING THE FULL WIDTH AND DEPTH OF THE VENT-FREE FIREBOX.
- AT THE FRONT OF THE FIREBOX, ALL COMBUSTIBLE TRIM MUST BE KEPT A MINIMUM OF 12" FROM THE TOP, AND 8" FROM THE SIDES OF THE FIREBOX OPENING.
- KEEP ALL INSULATION MATERIAL TO A MINIMUM OF THREE INCHES (3") AWAY FROM THE OUTSIDE SURFACES OF THE VENT-FREE FIREBOX.
- THESE MODELS CANNOT BE INSTALLED IN A BEDROOM UNLESS MAXIMUM BTU RATING OF INSTALLED VENT-FREE LOG SET IS LESS THAN 10,000 BTU/HR.

DETAILS (N.T.S)



DETAIL A
DAMPER SUPPORT ANGLE

ISOMETRIC VIEW (N.T.S)

	UNLESS OTHERWISE STATED, ALL DIMENSIONS ARE IN MILLIMETERS		PROJECT: 46" VENT FREE-SEE THRU		
	UNSPECIFIED TOLERANCES	THIRD ANGLE PROJECTION	DESCRIPTION: FIREPLACE CONSTRUCTION DOCUMENT		
MATERIAL: E.C. PUMICE MIXTURE	ANG. X ±		DRAWING #: 81046ST		
DRAWN: K.B.H.	LIN. X ±		DATE: 6/6/2018	SCALE: 1-1/2"=1'-0"	REV.
APPROVED:	XX ±	DATE:	SIZE: D	SHEET # 1 OF 1	