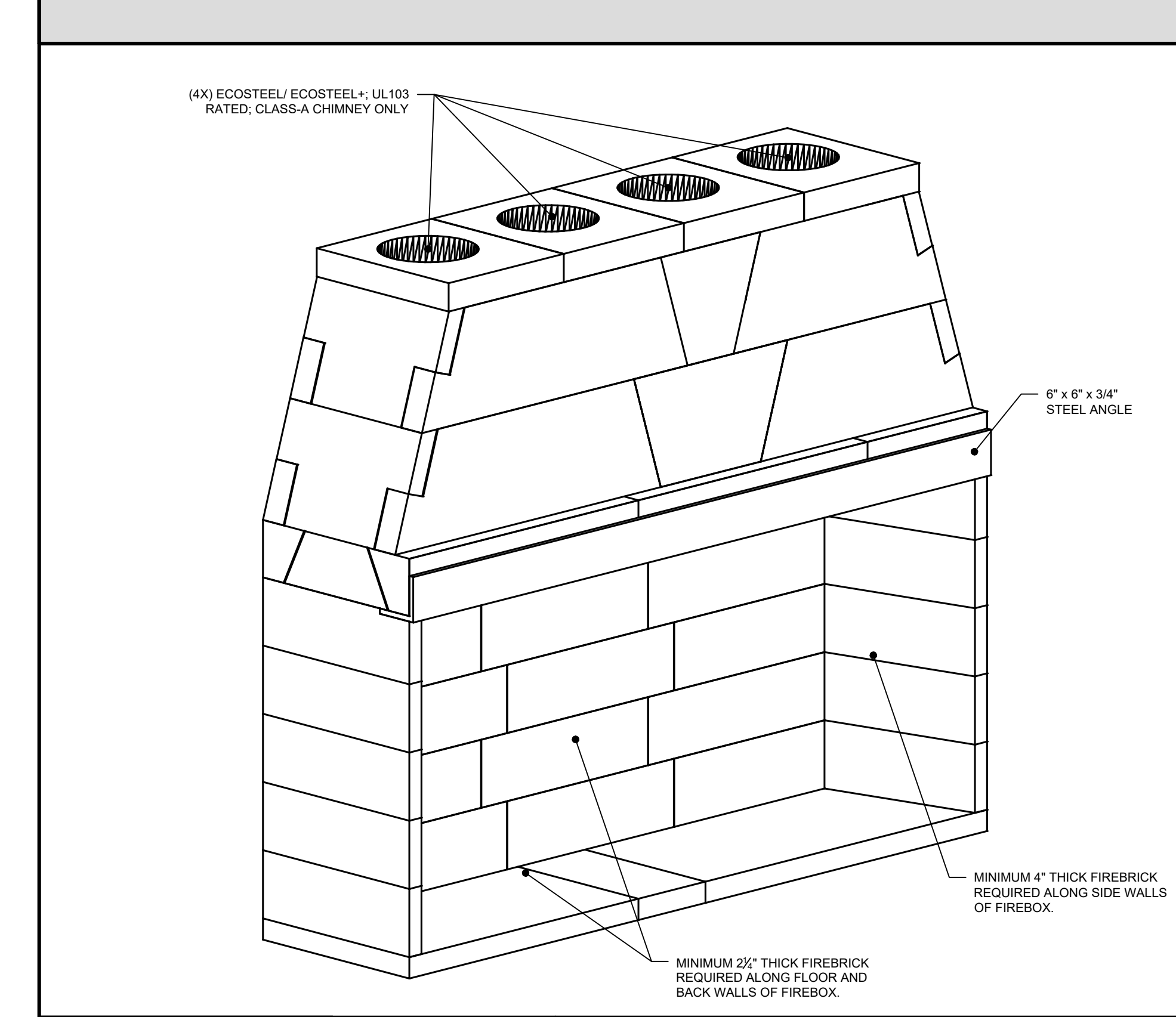
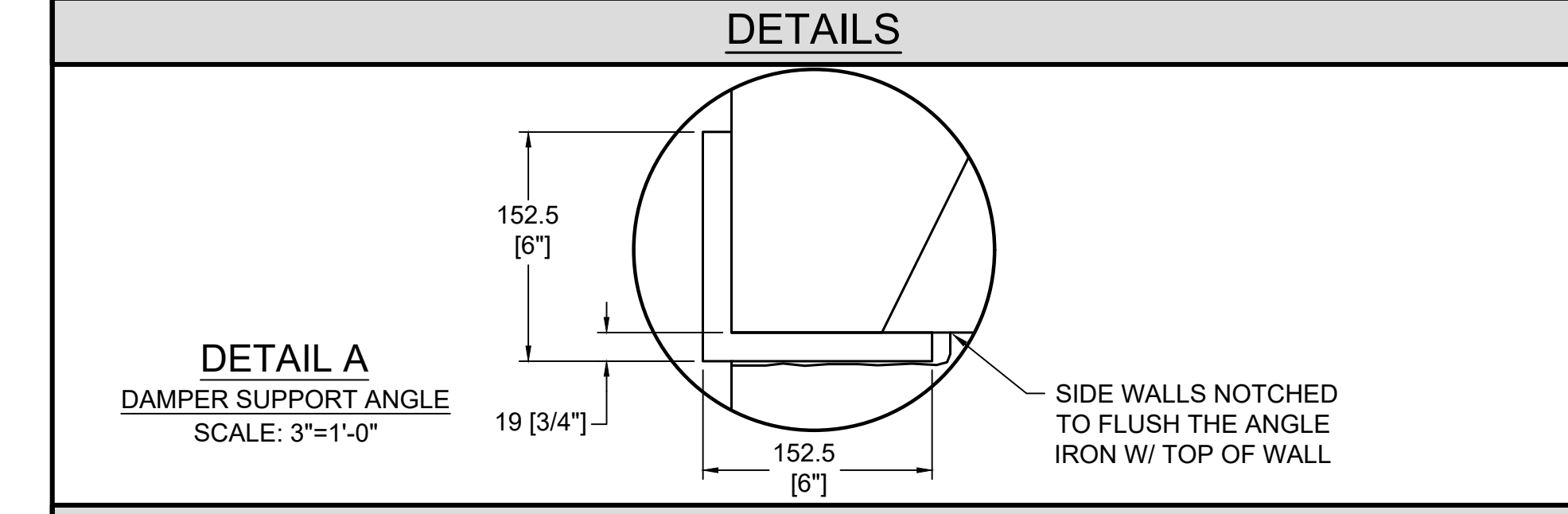


COMPONENT LIST		
NEW PART #	DESCRIPTION	QTY.
16	SMOKE DOME LARGE (60/72 MAGNUM)	4
17	SMOKE DOME MIDDLE (60 MAGNUM)	4
110	SMOKE DOME, MIDDLE, SMALL (8' MAGNUM+)	2
113	SMOKE DOME, MIDDLE, LARGE (8' MAGNUM+)	2
34	TOP SLOPING	4
136	TOP PLATE, MIDDLE (8' MAGNUM+)	2
365	TOP PLATE W/ 345mm OUTLET	2
73	BACK WALL (72 MAGNUM)	5
160	BACKWALL (7', 8' MAGNUM+)	5
162	BACKWALL, MIDDLE (7', 8', 10' MAGNUM+)	5
167	DAMPER BEAM, END (8' MAGNUM+)	2
68	DAMPER BEAM-36"	4
M90	MAGNUM SIDEWALL	10
191	BASE PLATE (7', 8' MAGNUM+)	1
M91	BASE PLATE (36 MAGNUM)	1
M93	BASE PLATE (48 MAGNUM)	1
M94L	MAGNUM DAMPER BLOCK, LEFT	1
M94R	MAGNUM DAMPER BLOCK, RIGHT	1
100	6" x 6" x 3/4" ANGLE IRON; NOT SUPPLIED; SEE NOTES	1

- GENERAL NOTES**
- FIREPLACE SHALL BE INSTALLED WITH THE MINIMUM CLEARANCES TO COMBUSTIBLES AS LISTED BELOW:
    - UNIT FRONT: 0"
    - SIDES AND REAR: 1 1/2"
    - COMBUSTIBLE SHEATHING ABOVE OPENING TOP: 24"
    - SHEATHING OR TRIM TO OPENING SIDES: 0"
    - MANTLE ABOVE OPENING: 24"
    - OPENING TO SIDEWALLS: 48"
    - HEARTH EXTENSION BEYOND FRONT: 30"
    - HEARTH EXTENSION BEYOND SIDES (FINISHED): 12"
    - COMBUSTIBLE FLOOR: N/A
    - INSULATION FROM FIREBOX (UNSHIELDED): 3"
  - THE FIREPLACE AND NONCOMBUSTIBLE HEARTH EXTENSION SHALL REST ATOP A NONCOMBUSTIBLE FLOORING SYSTEM WITH NO WOODEN UNDERPINNINGS.
  - USE SOLID WOOD FUEL OR LISTED DECORATIVE GAS VENTED OR UNVENTED APPLIANCE. USE ECOSTEEL OR ECOSTEEL+ METAL CHIMNEY ONLY.
  - TWO (2) 4" COMBUSTION AIR INLET KITS ARE REQUIRED BY EARTHORE AND MAY HELP IMPROVE FIREPLACE OPERATION IN HOMES TIGHTLY SEALED AND WITH OTHER VENTILATING APPLIANCES INSTALLED. IF THE INSTALLATION IS TO BE LONGER THAN TEN FEET (10'), THEN THE SIX INCH (6") ADAPTER WILL BE NEEDED. THIS ADAPTER WILL ATTACH TO THE EXISTING FOUR INCH (4") SLEEVE OUTSIDE OF THE UNIT. THE SIX INCH ADAPTER INCLUDES AN ADDITIONAL TWENTY FEET OF 6" FLEX HOSE, FOR A MAXIMUM RUN OF THIRTY FEET (30').
  - DRAWINGS ARE FOR DESIGN PURPOSES ONLY AND ARE THE SOLE PROPERTY OF EARTHORE INDUSTRIES. ANY REPRODUCTION OR UNAUTHORIZED USE IS STRICTLY PROHIBITED.
  - EARTHORE/ ISOKERN OR ANY DIVISION THEREOF SHALL NOT BE HELD LIABLE FOR ANY INCIDENTAL OR CONSEQUENTIAL DAMAGES OR EXPENSES ARISING OUT OF THE USE OF THE FIREPLACES OR CHIMNEY SYSTEMS.
  - ALWAYS CHECK LOCAL BUILDING CODES GOVERNING FIREPLACES AND FIREPLACE INSTALLATIONS.



**earthcore** INDUSTRIES, L.L.C. 6899 Philips Industrial Blvd. Jacksonville, FL 32256

PROJECT: **8' MAGNUM+ (82096)**

DESCRIPTION: **FIREPLACE CONSTRUCTION DOCUMENT**

MATERIAL: **E.C. PUMICE MIXTURE**

DRAWN: **K.B.H.** DATE: **6/26/2019**

APPROVED: **[Signature]** DATE: **6/26/2019**

SCALE: **1"=1'-0"** DRAWING #: **82096** REV: **B**

UNSPECIFIED TOLERANCES: ANG. X ± LIN. X ± XX ± THIRD ANGLE PROJECTION

6899 Philips Industrial Blvd. Jacksonville, FL 32256