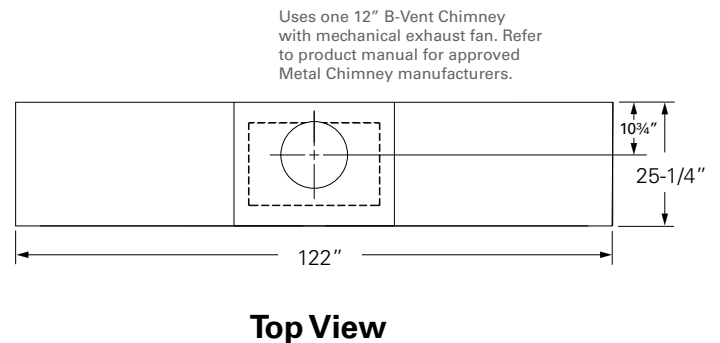
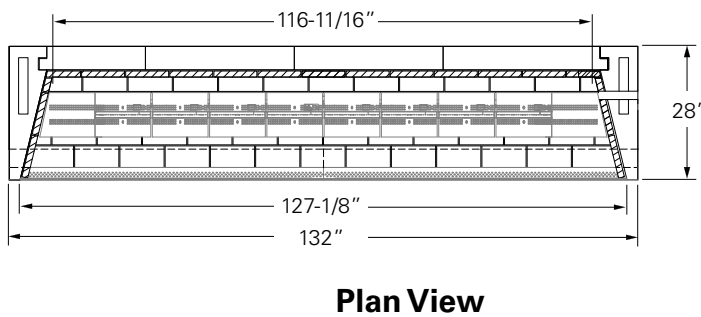
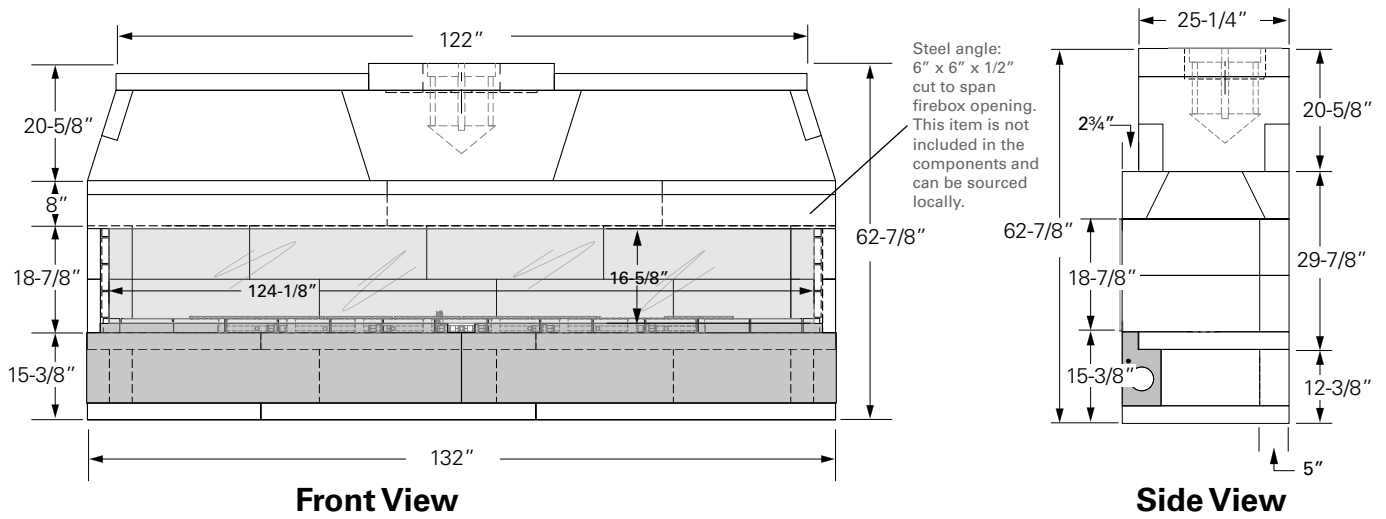
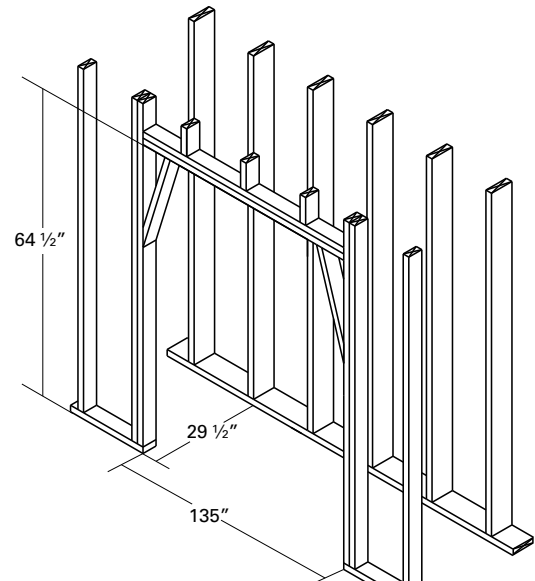


Project Name: _____ Location: _____



MINIMUM FRAMING DIMENSIONS



FIREPLACE OPTIONS

- Hearth Height: _____
- Brick Type: _____
- Brick Color: _____
- Brick Pattern: _____
- Other Options: _____
- Gas Log Set: _____

Notes: _____

The total weight for the Maximus 120" linear fireplace with glass front is approximately 3,844 lbs. This dry weight includes fireplace pumice components only, additional weight from mortar, mechanical exhaust fan, glass media, firebrick and chimney not included.